

New SmallPumps™ SP100FO Fixed-Flow OEM Pumps

These new low cost peristaltic pumps are among the smallest fixed-flow pumps in the market. Flow rates are available from 0.05 to 5.6 ml/min. They adapt easily to almost any equipment application. Enjoy the benefits of peristaltic pumps in your fluid transfer application.

Select from 3 different Vac motor speeds, three different tubing sizes and a variety of tubing materials. Norprene tubing offers the longest pump life, Silicone is the softest with higher flow rates. Viton provides excellent chemical resistance. New models available with optional ABS housing, power cords and on/off power switch. For greater chemical resistance, check out the new Chem*sure™ tubing @ www.aptinstruments.com/goretube.htm or call.

All pumpheads have ABS plastic housings, acetal rotor assembly with four stainless steel rollers. These continuous-duty synchronous Vac motors are not reversible. Silicone and Norprene pump systems are supplied with polypropylene fittings. Viton systems are supplied with PVDF fittings. One year warranty.

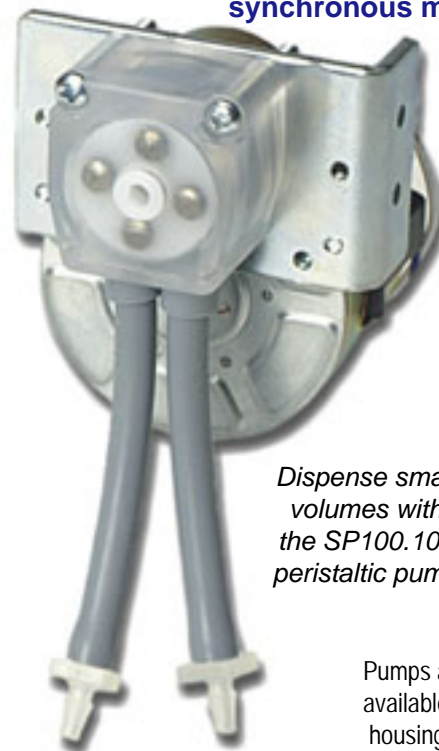
SPECIAL FEATURES

- Fluid only contacts the tubing*
- Self-priming, run dry without damage*
- Fixed-flow 115 and 230Vac motors*
- Pump viscous fluids and slurries*
- Compact size*

SPECIFICATIONS

	Norprene	Silicone
Max. Fluid Pressure:	30 psig (2 bar)	10 psig (0.7 bar)
Max. Suction Lift:		
0.8 and 1.6 mm ID	12-ft (3.6 m) H ₂ O	12-ft (3.6 m) H ₂ O
3.0 mm ID	25-ft (7.5 m) H ₂ O	25-ft (7.5 m) H ₂ O
Measurement Range:	See ordering table (page 2)	
Accuracy:	±5% full scale	
Repeatability:	±5% full scale	
Max. Fluid Temp.:	93°C (200°F)	
Duty Cycle:	Continuous	
Operating Temp.:	0 to 50°C (32 to 122°F)	
Enclosure:	open motor systems, ABS optional	
Wetted parts:	Silicone, Norprene® or Viton®	
Power:	100-130Vac; 210-240Vac; 3.5W	
Dimensions (W x H x D):	60 x 70 x 66 mm (2.4 x 2.8 x 2.6 in.)	
(with housing)	84 x 140 x 97 mm (3.3 x 5.5 x 3.8 in.)	
Weight:	260 g (9.2 oz); 570 g (20 oz.)	
Shipping Wt:	0.45 kg (1 lbs); 0.9kg (2 lbs)	

Continuous-duty Vac synchronous motor



Dispense small volumes with the SP100.100 peristaltic pump

Pumps also available with housings!

APPLICATIONS

- Chemical metering*
- Detergent dispensing*
- Condensate removal*
- Analytical instruments*
- Research & Development*

SP100FO Max Flowrates (ml/min)

Motor RPM	Vdc	Amps	Tubing ID (mm)		
			3.0	1.6	0.8
30	115 or 230	3.5W	5.6	1.5	0.5
18	115 or 230	3.5W	3.3	0.9	0.3
3.6	115 or 230	3.5W	0.65	0.18	0.06

Flow rates listed are nominal and will vary depending upon fluid viscosity and back pressure. Specifications listed are for Norprene tubing. Silicone flow rates are approx 10-20% higher. Viton is not recommended for use with the 30 rpm motor. Pumps operating at 50Hz will deliver 5/6 of the flow rate.

SP100FO-Peri Pumps

NA - Not Available at this time

NR - Not Recommended

SP100Vac Ordering Information – (Flow rates listed are for Norprene tubing; Silicone is 10-20% higher).

Flow ml/min	Tube ID	Pump RPM	Model No.	Pump Part No.		
				Norprene®	Silicone	Viton®
Fixed-flow Pumps; AC synchronous motors; non-reversible; 3.5 W						
115Vac/50-60Hz Pump Systems (60Hz flow rates are shown)						
0.06	0.8 mm (1/32")	3	SP10XX.008.RF00.00Y	SP101.112	NA	NA
0.18	1.6 mm (1/16")	3	SP10XX.016.RF00.00Y	SP101.100	SP100.100	NA
0.3	0.8 mm (1/32")	15	SP10XX.008.QF00.00Y	SP101.114	NA	NA
0.5	0.8 mm (1/32")	30	SP10XX.008.PF00.00Y	SP101.116	NA	NA
0.65	3.0 mm (1/8")	3	SP10XX.030.RF00.00Y	SP101.102	SP100.102	SP102.102
0.9	1.6 mm (1/16")	15	SP10XX.016.QF00.00Y	SP101.104	SP100.104	NA
1.5	1.6 mm (1/16")	30	SP10XX.016.PF00.00Y	SP101.106	SP100.106	NA
3.3	3.0 mm (1/8")	15	SP10XX.030.QF00.00Y	SP101.108	SP100.108	SP102.108
5.6	3.0 mm (1/8")	30	SP10XX.030.PF00.00Y	SP101.110	SP100.110	NR
230Vac/50-60Hz Pump Systems (50Hz flow rates are shown)						
0.05	0.8 mm (1/32")	3	SP10XX.008.RF00.00Z	SP101.113	NA	NA
0.16	1.6 mm (1/16")	3	SP10XX.016.RF00.00Z	SP101.101	SP100.101	NA
0.25	0.8 mm (1/32")	15	SP10XX.008.QF00.00Z	SP101.115	NA	NA
0.4	0.8 mm (1/32")	25	SP10XX.008.PF00.00Z	SP101.117	NA	NA
0.55	3.0 mm (1/8")	3	SP10XX.030.RF00.00Z	SP101.103	SP100.103	SP102.103
0.78	1.6 mm (1/16")	15	SP10XX.016.QF00.00Z	SP101.105	SP100.105	NA
1.3	1.6 mm (1/16")	25	SP10XX.016.PF00.00Z	SP101.107	SP100.107	NA
2.3	3.0 mm (1/8")	15	SP10XX.030.QF00.00Z	SP101.109	SP100.109	SP102.109
4.6	3.0 mm (1/8")	25	SP10XX.030.PF00.00Z	SP101.111	SP100.011	NR

Flow rate listed are nominal and will vary depending upon fluid viscosity and back pressure. Specifications listed are for Norprene tubing. Silicone flow rates are approx 10-20% higher. Other special tubing options are available on special order. Call for details.

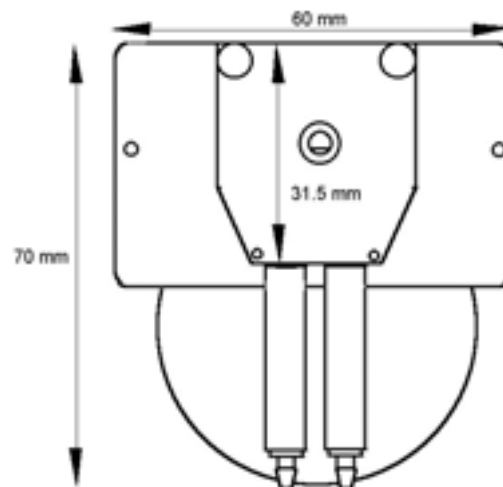
Customize your OEM pumps!

Order your OEM pump with an optional protective ABS plastic housing and power switch. 115Vac models include US Std plug. 230Vac models include European plug.

Add the following letter(s) to the p/n to include the options.

"C" ABS plastic housing (e.g. SP101C.113).

"CS" ABS plastic housing w/on-off switch (e.g. SP101CS.113).



AC Powered SP100

For more information contact:

APT Instruments or your local distributor.

Specifications subject to change.

APT Instruments provides no warranty on usage of pumps or life of tube. Immersion and life tests are recommended prior to use.

APT logo—TM Advanced Product Technology, LLC Viton—Reg TM DuPont Dow Elastomers LLC
 Norprene—Reg TM Norton Co. Chemsure—TM W.L. Gore & Associates, Inc.
 © Copyright 2003 Advanced Product Technology, LLC.