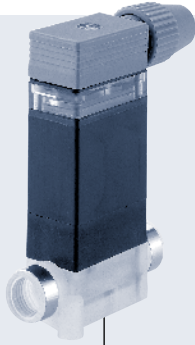
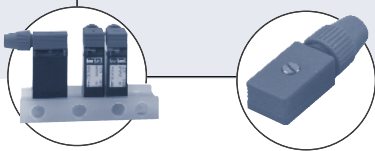


2/2 or 3/2-way Miniature Rocker Solenoid Valve



Type 0127 can be combined with...



Type 0127

Manifold systems

Type 1054

Cable plug

- Original Rocker valve with separating diaphragm
- Minimal internal volume, low dead volume
- Used in laboratory, medical and analysis technology
- Suitable for critical media
- NC, NO or universal circuit function
- Available upon request:
 - Custom manifold systems
 - LED
 - Custom cable connections
 - 2-way normally open

The Type 0127 is the original direct-acting rocker solenoid valve invented by Burkert. The valve has minimal internal volume, very

low dead volume and is easy to purge. The coil is separated from the body by a robust diaphragm.

The Type 0127 can be used to dose, fill, mix and distribute small amounts of "difficult" media. It is designed particularly for laboratory, medical and analysis technology.

Technical data	
Orifice	1/16" (DN 1.6 mm)
Body material	PVDF, PEEK, ETFE, (1/4–28 UNF)
Seal material, media	FFKM, FKM Resistant to neutral and aggressive liquids and gases, see Burkert chemical resistance chart
Media temperature	FFKM 32°F to 122°F (0°C to 40°C) FKM 32°F to 140°F (0°C to 60°C)
Ambient temperature	max. 131°F (55°C)
Internal volumes	Depending on body
with NPT 1/8	85 µl
with manifold	68 µl
with 1/4–28 UNF	2/2–30 µl 3/2–55 µl
on request	< 10 µl

Technical data (continued)	
Standard voltages	12/DC, 24/DC, 24/UC AC or DC with LED 120–240 AC available upon request
Voltage tolerance	±10%
Power consumption	3.4 W
Duty cycle	100% continuous rating
Manifold mounting	If media or ambient temperatures are above 104°F (40°C): intermittent operation 40% (10 min)
Electrical connection	Form C cable plug Flying lead wires
Protection class	IP 54 with flying leads and single cable plug
Installation	As required, preferably with actuator upright
Response times	Measured at valve outlet at 29 PSI and 68°F (20°C)
Open	approx. 25 ms (Pressure rise 0 to 90%)
Closing	approx. 25 ms (Pressure drop 100 to 10%)

DTS 1000079059 EN Version: B Status: RL (released | freigegeben | validé) printed: 18.03.2010

Burkert Contromatic USA
 2602 McGaw Avenue
 Irvine, CA 92614
 Tel. 949.223.3100
 Fax 949.223.3198
 www.burkert-usa.com

Ordering chart for valves (other versions on request)

PVDF/ETFE valve body, FFKM seal											
Circuit function	Port connection	Orifice [mm]	Cv value water	Pressure range ¹⁾ [bar]	Back-pressure [PSI]	Valve body material	Electrical connection	Weight [oz]	ITEM No. Voltage/Frequency [V/Hz]		
									12/VDC	24/UC ¹⁾	24/DC
A 2/2-way valve direct acting, NC 	UNF 1/4-28	1/16	0.046	0 - 28	28.0	ETFE	cable plug 1054	2.11	upon request	455 329 B	455 402 W
	UNF 1/4-28	1/16	0.046	0 - 28	28.0	ETFE	2 leads 19 inches	2.11	455 298 D	455 330 G	455 378 L
	Sub-base	1/16	0.046	0 - 28	28.0	PVDF	cable plug 1054	1.86	upon request	455 137 K	455 419 W
	Sub-base	1/16	0.046	0 - 28	28.0	PVDF	2 leads 19 inches	1.86	455 136 J	455 138 U	455 396 X
	Tube	1/16	0.046	0 - 28	28.0	PVDF	cable plug 1054	2.01	upon request	455 145 T	455 413 Q
	Tube	1/16	0.046	0 - 28	28.0	PVDF	2 leads 19 inches	2.01	121 782 K	455 146U	455 390 D
	NPT 1/8	1/16	0.071	0 - 28	28.0	PVDF	cable plug 1054	2.18	455 155 V	455 157 X	455 408 C
	NPT 1/8	1/16	0.071	0 - 28	28.0	PVDF	2 leads 19 inches	2.18	455 156 W	455 158 G	455 384 T
	G 1/8	1/16	0.071	0 - 28	28.0	PVDF	cable plug 1054	2.18	upon request	124 454 M	upon request
	G 1/8	1/16	0.071	0 - 28	28.0	PVDF	2 leads 19 inches	2.18	upon request	457 515 Q	upon request

▪ The rectifier, LED and varistor are integrated in the universal current versions (UC).
¹⁾ For universal current 24 VDC and 24 VAC

PVDF/ETFE valve body, STM, FFKM seal											
Circuit function	Port connection	Orifice [mm]	Cv value water	Pressure range ¹⁾ [bar]	Back-pressure [PSI]	Valve body material	Electrical connection	Weight [oz]	ITEM No. Voltage/Frequency [V/Hz]		
									12/VDC	24/UC ¹⁾	24/DC
T 3/2-way valve direct acting, universal functions, any flow direction 	UNF 1/4-28	1/16	0.029	0 - 28	28.0	ETFE	cable plug 1054	2.11	upon request	455 131 M	455 404 Y
	UNF 1/4-28	1/16	0.029	0 - 28	28.0	ETFE	2 leads 19 inches	2.11	454 691 W	455 132 N	455 380 B
	Sub-base	1/16	0.038	0 - 28	28.0	PVDF	cable plug 1054	1.86	upon request	455 167 Z	455 421 Q
	Sub-base	1/16	0.038	0 - 28	28.0	PVDF	2 leads 19 inches	1.86	454 142 Y	455 168 A	455 398 H
	Tube	1/16	0.038	0 - 28	28.0	PVDF	cable plug 1054	2.01	upon request	455 151 Z	upon request
	Tube	1/16	0.038	0 - 28	28.0	PVDF	2 leads 19 inches	2.01	455 150 C	455 152 S	120 685 V
	NPT 1/8	1/16	0.055	0 - 28	28.0	PVDF	cable plug 1054	2.18	455 161 T	455 163 V	455 410 Z
	NPT 1/8	1/16	0.055	0 - 28	28.0	PVDF	2 leads 19 inches	2.18	455 162 U	455 164 W	455 386 V
	G 1/8	1/16	0.055	0 - 28	28.0	PVDF	cable plug 1054	2.18	upon request	457 516 R	upon request
	G 1/8	1/16	0.055	0 - 28	28.0	PVDF	2 leads 19 inches	2.18	upon request	457 517 J	120 679 N

▪ The rectifier, LED and varistor are integrated in the universal current versions (UC).
¹⁾ For universal current 24 VDC and 24 VAC, with LED

Options

- Function normally open
- Dead volume free design
- Other voltages

Dimensions

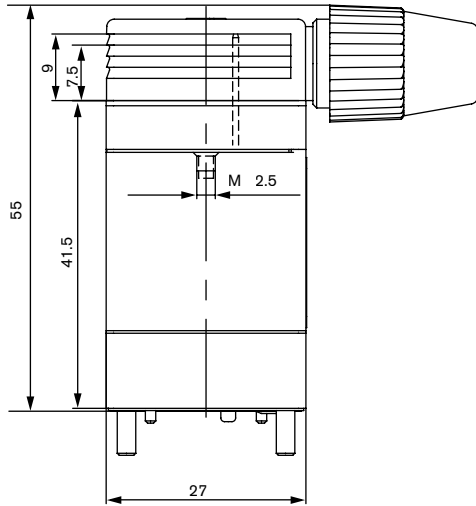
1) Valve body: PVDF, ETFE

2) Isolating diaphragm: FFKM, FKM – on request

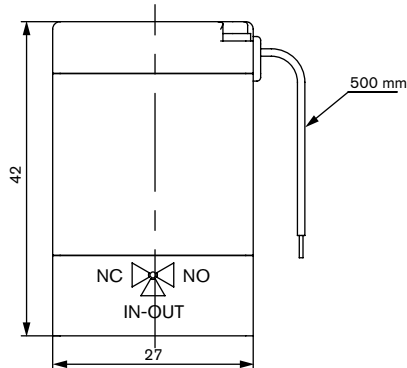
3) Coil body: PA (Polyamide)

Dimensions [mm]

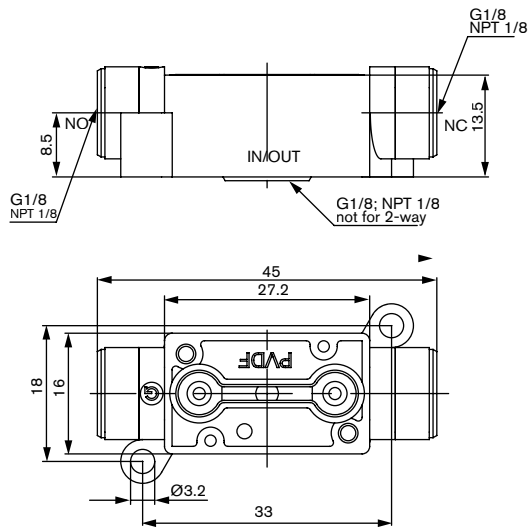
Coil with cable plug Type 1054



Coil with flying leads



Body with threaded connection



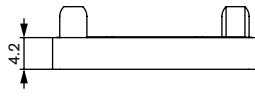
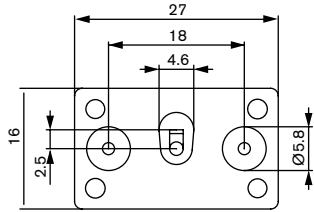
DTS 1000079059 EN Version: B Status: RL (released | freigegeben | valide) printed: 18.03.2010



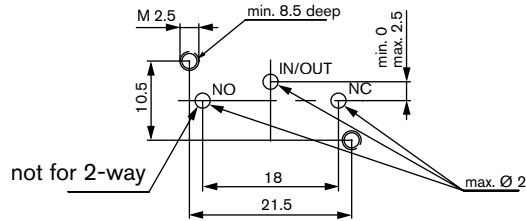
Engineering Design and Contract Manufacturing services available for your micro-fluidic system needs. Specializing in Value added Design and Fabrication of manifolds, brackets, cable harnesses and more. Manufacturing services include complete documentation, CAD, assembly and testing of complete systems and sub-assemblies including: valve mounting, fitting and tubing installation, cable harnesses, power boards, sheet metal and more.

Dimensions [mm]

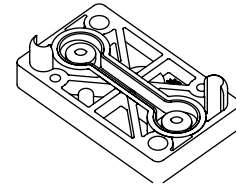
Sub-base body



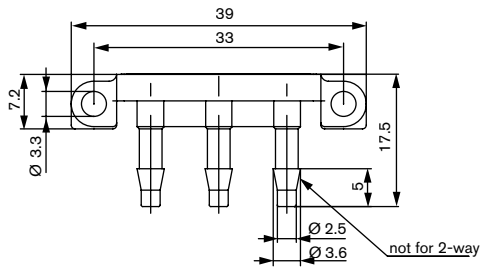
Interface for manifold



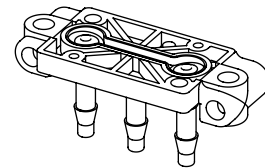
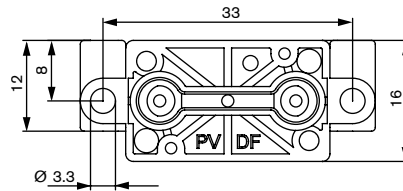
not for 2-way



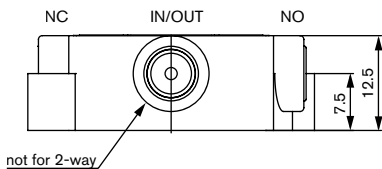
Body with tube connection



not for 2-way



Body with UNF 1/4" - 28



not for 2-way

