

Width: 20.8 mm, Contact clearance: 11 mm, 0–250 V



Advantages/Benefits

- ▶ Optional equipment with LED, rectifier and/or varistor
- ▶ Easy electrode wiring, simple installation
- ▶ Pressure screw cable seal with strain relief

Design/Function

The cable plug consists of

- a polyamide body with PC-cover and mounting screw,
- a contact insert that can be rotated by 180°
- Tinned brass contacts,
- a gasket seal.

The strain relieving feature and cable seal is provided by a pressure screw with sealing ring.

The terminal screws are easily accessible, when the contact inserts are removed.
The cable outlet is oriented vertically to the plug bottom.

Applications

Plug-in connection for electrical devices and components, especially solenoid valves with lateral tag connectors. Tag configuration according to DIN 43 650, Form B.

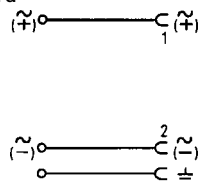
bürkert
Easy Fluid Control Systems

Technical Data

Body material	PA (polyamide)
Contact material	brass, tinned
Cable outlet	vertically to the plug bottom
Isolation between cable plug and coil	gasket (NBR)
Temperature range	-30°C ... +90°C
Cable diameter	4.5 ... 7 mm
Electr. connection	terminal screws max. 1,5 mm ²
Poles	2pole + protective earth
Nominal voltage	0–250 V (Standard)
Functional display	LED, red
Isolation group	3
Rating	IP 65
Max. continuous current	16 A without wiring
Contact resistance	≤ 4 mΩ

Wiring Diagrams/Connection Specifications

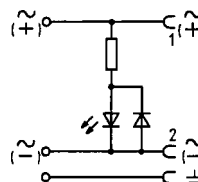
Standard



0–250 V AC/DC

Item-No.: 423 845 R

With LED, to indicate switched position

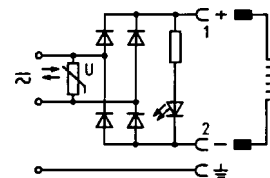


In case of DC-voltage ensure correct polarity!

15– 30 V AC/DC
200–240 V AC/DC

Item-No.: 423 849 V
Item-No.: 423 850 S

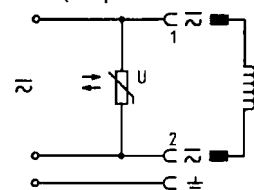
With rectifier, LED and varistor (for protection in case of voltage transients)



15– 30 V AC/DC
200–240 V AC/DC

Item-No.: 423 853 R
Item-No.: 423 854 J

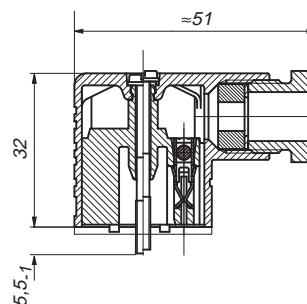
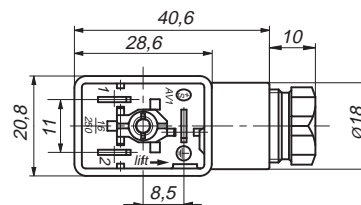
With varistor (for protection in case of voltage transients)



15– 30 V AC/DC
200–240 V AC/DC

Item-No.: 423 846 J
Item-No.: 423 847 K

Dimensions [mm]



Ordering Chart

Cable plugs are supplied with 2 poles + protective earth, Cable diameter 4,5 ... 7 mm, Cable outlet oriented vertically to the plug bottom; Delivery package with mounting screw M3 x 35 and gasket.

Circuitry	Voltage	Max. Strom	Item-No.
No circuitry (Standard)	0–250 V	16 A	423 845 R
With LED	15– 30 V	8 A	423 849 V
With LED	200–240 V	8 A	423 850 S
With rectifier, LED and varistor	15– 30 V	2 A	423 853 R
With rectifier, LED and varistor	200–240 V	2 A	423 854 J
With varistor	15– 30 V	8 A	423 846 J
With varistor	200–240 V	8 A	423 847 K