

**32.5 mm Width; 8.0 and 18.0 mm Contact Clearance**



**Advantages/Benefits**



- ▶ **EaseOn Technology "push-in & turn-off"**
- ▶ **Quick and robust installation**
- ▶ **Easy to commission and to identify errors with LED status display**
- ▶ **Up to 15 W switching capacity**

**Design/Function**

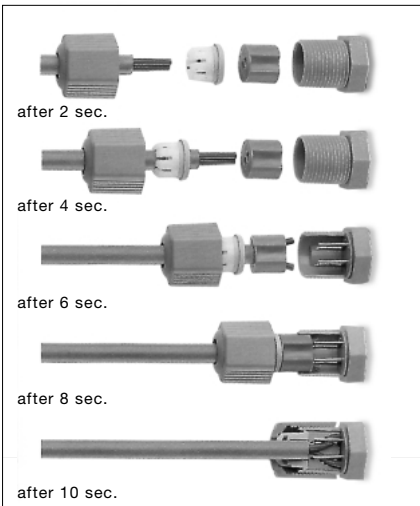
**EaseOn Technology:**

- EaseOn* to handle  
i.e. no special tools necessary.
- Cut-off the cable
  - Strip the cable insulation
  - Push-in the two insulated wires just as they are
  - Screw it tight
  - Ready to use

**AS-i Bus versions:**

- Pin assignment according to Form C or A
- With / Without connector for repeat back signals of up to two sensors
- Bus driven for 5 W rupturing capacity or with auxiliary power supply for up to 15 W rupturing capacity
- For leads with 0.34 up to 0.75 mm<sup>2</sup> or 0.75 up to 1.50 mm<sup>2</sup> cross section

**Five steps for connection:**



**Applications**

Cable plugs for connection of valves into an AS-i Bus configuration with different network topologies (line, star, tree and ring)

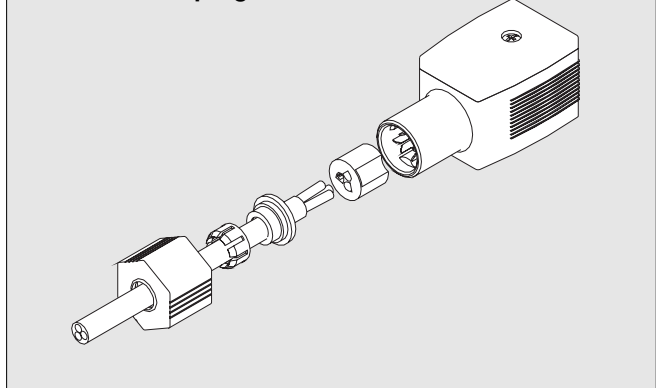
Quick installation possibility to set up an On/Off control circuit with valves, sensors and PLC's



**Technical Data Type 2510/2511 – Housing**

Operating temperature	0 up to +50°C
Protection class	IP 65
Contacts	2 pole / 4 pole brass, electro silverplated
Cross section	0.34 up to 0.75 mm <sup>2</sup> or 0.75 up to 1.50 mm <sup>2</sup>
Contact distance	
Type 2510	8.0 mm
Type 2511	18.0 mm
Body material	Polyamide PA
Cover material	Polysulfone
Fixing screws	M2.5 x 35 screw or M3.0 x 35 screw
Size	32 x 32 x 65 mm

**EaseOn cable plug:**



**Electrical Data Type 2510/2511 – Bus Driven**

**Bus connection**

Operating voltage	29.5 - 31.6 VDC (according. to AS-Interface specification)
-------------------	--

Current consumption without valve and sensor	10 mA
Max. current consumption	300 mA
Number of addresses	min. 15

**Output**

Contact rating	max. 5 W (without inputs) 3 W (with inputs)
Voltage	24 V ± 10%
Current	max. 205 mA (without inputs) 125 mA (with inputs)

	short circuit proof
Watch dog function	integrated
Cable plug type 2510 AS-i	for tag connectors acc. to DIN 43650 Form C
Cable plug type 2511 AS-i	for tag connectors acc. to DIN 43650 Form A

**Electrical Data Type 2510/2511 – Auxiliary Power Supply**

**Bus connection**

Operating voltage	29.5 - 31.6 VDC (according. to AS-Interface specification)
-------------------	--

Current consumption without valve and sensor	10 mA
Max. current consumption	100 mA
Number of addresses	min. 15

**Output**

Contact rating	max. 15 W
Voltage	24 V ± 10% power supply must have safe isolation acc. to IEC 364-4-41 (PELV or SELV)
Current	max. 0.7 A

	short circuit proof
Watch dog function	integrated
Cable plug type 2510 AS-i	for tag connectors acc. to DIN 43650 Form C
Cable plug type 2511 AS-i	for tag connectors acc. to DIN 43650 Form A

**Electrical Data Type 2510/2511 – Bus Driven or with Auxiliary Power Supply**

**Inputs (Cable Plugs with Input Connector)**

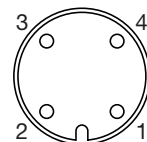
Circuitry	PNP
Sensor supply	through AS-Interface
Power supply of sensor	24 V ± 20%
Current	max. 60 mA short circuit proof
Switching level "1" signal	≥ 10 V
Current	6.5 mA
Input current "0" signal	≤ 1.5 mA

**LED status display**

Green (switch status)	
LED ON	Actuator switched
LED OFF	Actuator not switched
Yellow (Bus)	
LED ON	OK
LED OFF	Power OFF
LED flashing	Slave address 0
Yellow (Inputs*)	
LED ON	Switched
LED OFF	Not switched

**Pin assignment of M12 terminal**

(version with repeat-back signal inputs)

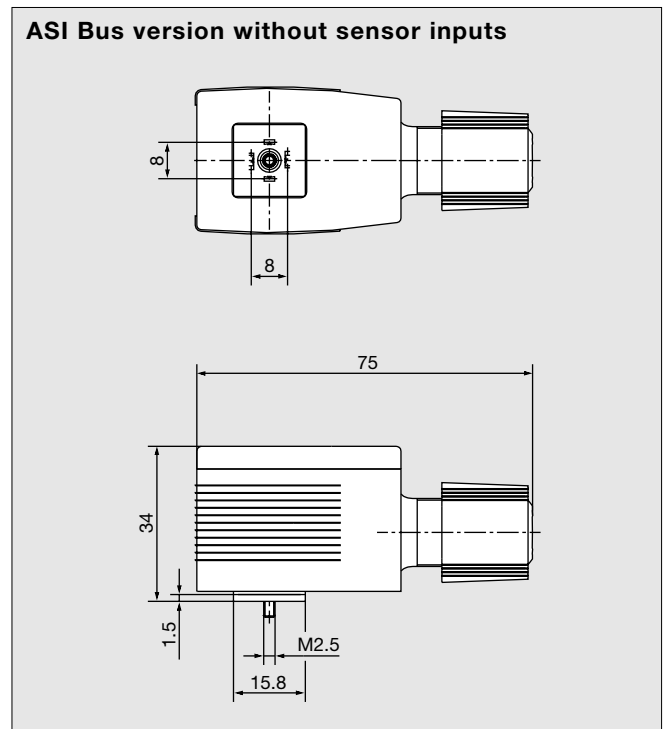
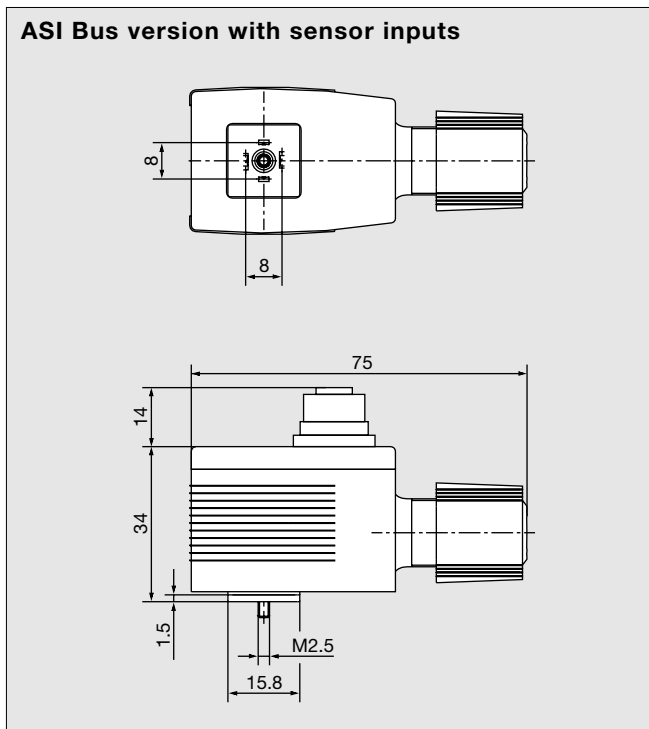


1. 24 V power supply  
for sensors
2. Sensor input 2
3. GND
4. Sensor input 1

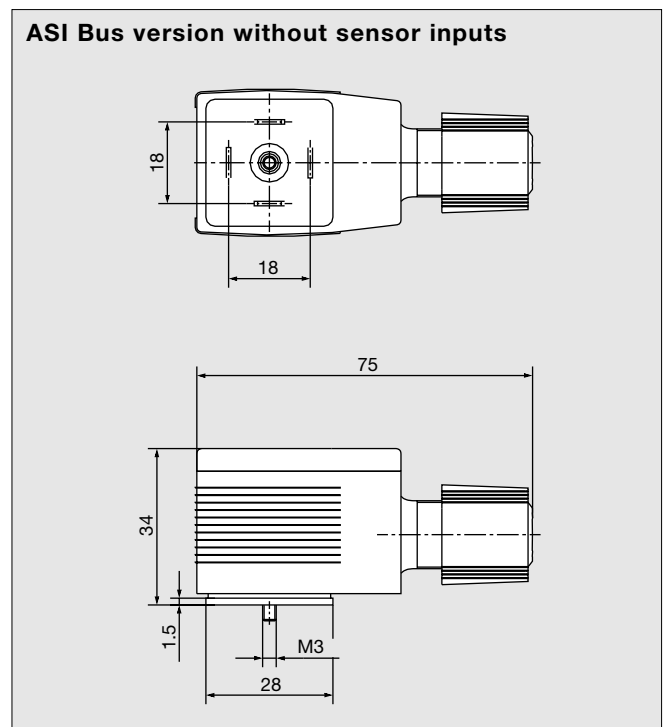
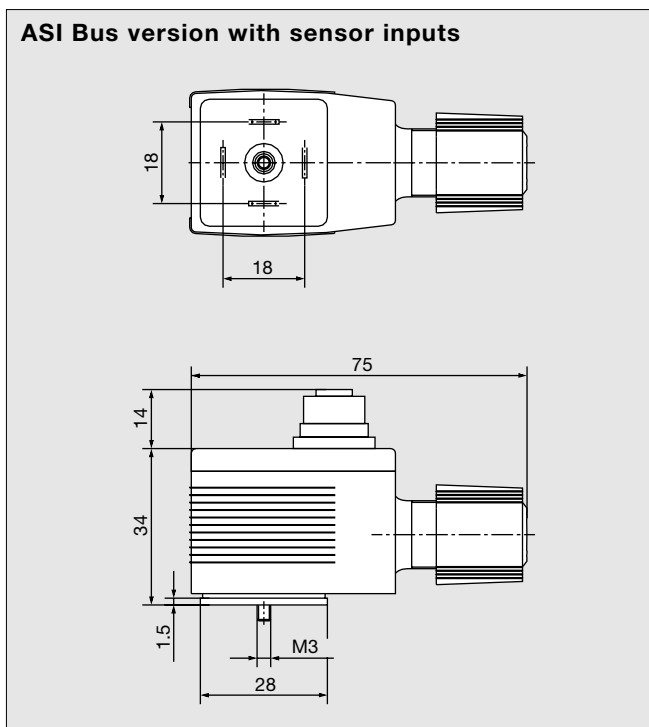
**Programming data**

I/O-configuration	B hex (1 output / 2 inputs)
ID-code	F hex
Address pre-set	0
<b>Token</b>	
	D3 IN1
	D2 IN2
	D1 –
	D2 OUT

**Dimensions [mm] Type 2510**



**Dimensions [mm] Type 2511**



**Specifications - Ordering Chart Cable Plugs (other versions on request)**

All cable plugs are supplied with mounting screw M 2.5 x 35 mm or M 3.0 x 35 mm and gasket.

Part description		Cable Plug Type 2510 (pin assignment C)		Cable Plug Type 2511 (pin assignment A)	
		Item-No. 0.75 up to 1.50 mm <sup>2</sup>	Item-No. 0.34 up to 0.75 mm <sup>2</sup>	Item-No. 0.75 up to 1.50 mm <sup>2</sup>	Item-No. 0.34 up to 0.75 mm <sup>2</sup>
With repeat back signals	Bus driven	140 069 J	142 692 W	140 070 P	142 694 Y
	Auxiliary power supply	-	142 688 A	-	142 691 V
Without repeat back signals	Bus driven	139 202 G	142 693 X	140 071 C	142 695 Z
	Auxiliary power supply	-	142 689 B	-	142 690 G

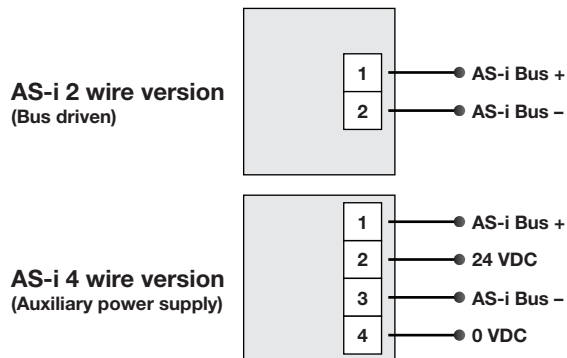
**Specifications - Ordering Chart Accessories (other versions on request)**

Part description	Application	Item-No.
Single T connector / 1.50 mm <sup>2</sup> Orange colour, PUR coated	Junction of AS-Interface flat band cable with 2 m moulded round cable (2 x 1.50 mm <sup>2</sup> ) for EaseOn 0.75 up to 1.50 mm <sup>2</sup>	784 756 H
Single T connector / 0.34 mm <sup>2</sup> with SS screw Black colour, PUR coated	Junction of AS-Interface flat band cable with 2 m moulded round cable (2 x 0.34 mm <sup>2</sup> ) for EaseOn 0.34 up to 0.75 mm <sup>2</sup>	784 757 A
Double T connector / 0.34 mm <sup>2</sup> with SS screw Black colour, PUR coated	For auxiliary power supplied versions - Simultaneous junction of yellow data cable and black power cable into a round cable 4 x 0.34 mm <sup>2</sup>	784 758 K

**Additional accessories on request:**

- Y-connector for repeat back signal (2 x M8 to M12 or 2 x M12 to M12), with cable in various lengths
- AS-Interface flat band cable
- AS-Interface master, gateways
- AS-Interface power supplies

**Wiring Diagrams**



**Application Example**

