

# Style 006

## POWER CONTROL MODULE #006-10062

The Power Control Module offers infinitely variable phase control when used with resistive loads up to 25 amps. The solid state circuitry provides modified transient suppression, exceptional stability and life. An external potentiometer/switch (dial plate and knob included) is used to control output voltage. A trimming potentiometer is mounted on top of the module to adjust turn on voltage level. This device should be installed in a circuit fused at 120% rated load or 30 amps maximum.

Input voltage:

110-277 volts,  
single phase, 60 hz.

Output voltage:

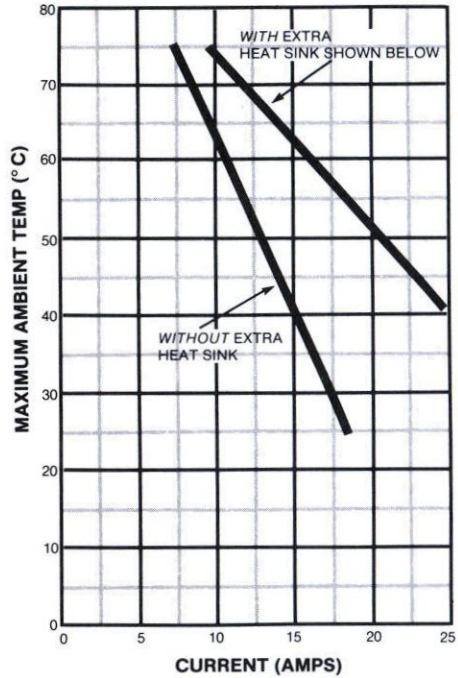
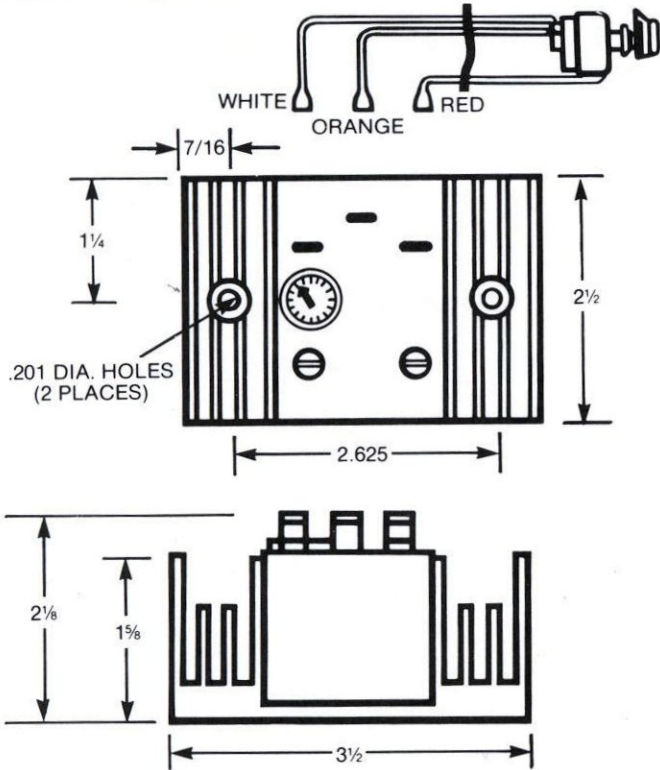
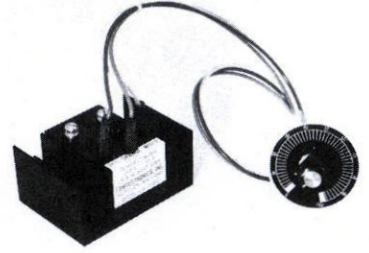
Adjustable from  
17% to 99% of  
applied voltage.

Current Rating:

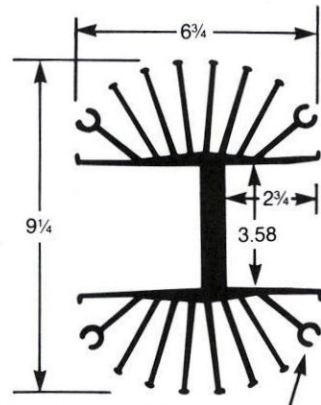
25 AMPS maximum  
(see ambient temperature vs current curve).

Power Consumption (maximum):  
Maximum Temp.:

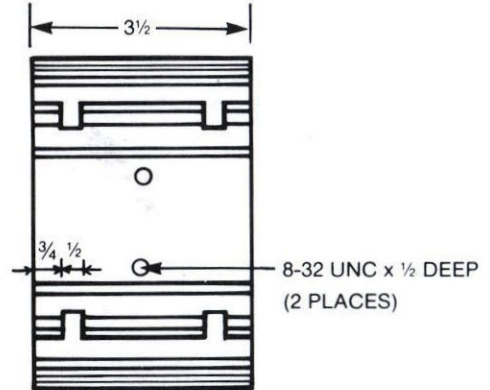
50 watts  
75°C Measured at center of base plate.



**Heat Sink #006-10139**  
Recommended for load currents exceeding 15 amps (see ambient temperature vs. current curves shown above)



0.41 DIA - 4 HOLES EQUALLY SPACED ON 8 1/2 DIA B.C.



Contact CONVECTRONICS for your customized heating requirements

[iProcessSmart.com](http://iProcessSmart.com)

14262 Doolittle Drive, San Leandro, CA 94577

Tel: (510) 352-8199

Fax: (510) 352-8897

E-Mail: [sales@iprocesssmart.com](mailto:sales@iprocesssmart.com)