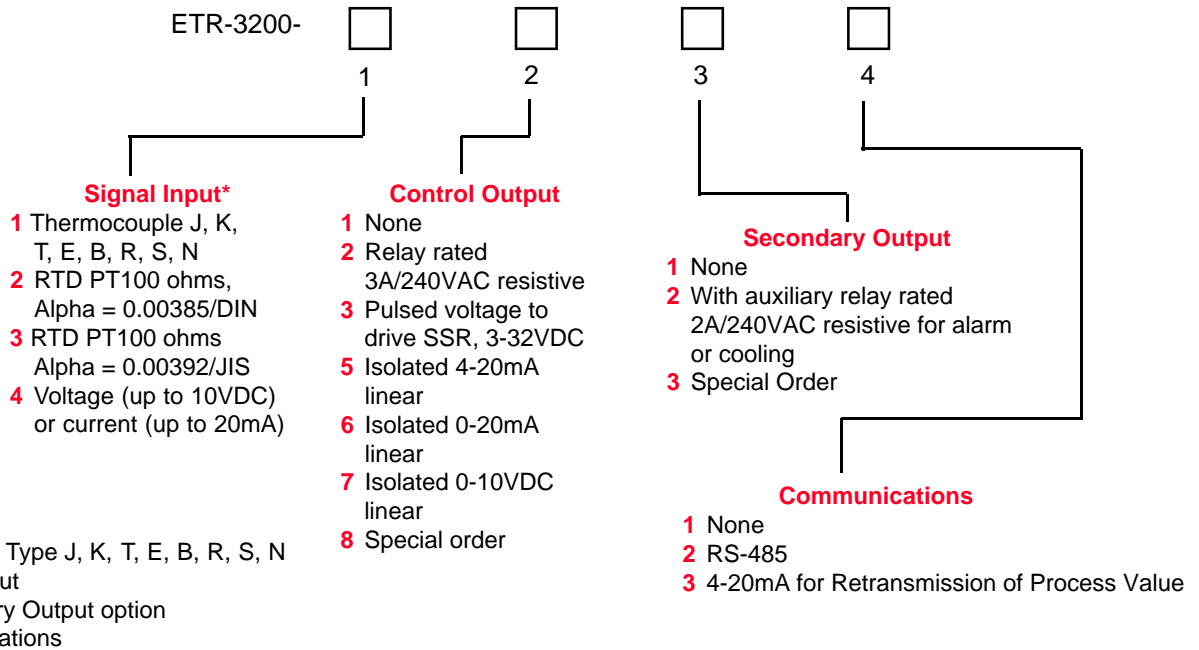


**ORDERING INFORMATION FOR 1/2 DIN ETR-3200 SMARTER LOGIC®  
MICROPROCESSOR BASED TEMPERATURE CONTROLS**



**Example**

Standard Model:

**ETR-3200-1221**

- Thermocouple Type J, K, T, E, B, R, S, N
- Relay Output
- With Secondary Output option
- No Communications

*\*True Universal Input can be re-programmed in the field.  
 Not all configurations available from stock*

20-32VDC or VAC operation  
 Model Number: ETR-3200-31221