

Series A3

Digital Differential Pressure Control



The series A3 is a patent pending microprocessor based controller for positive, negative, and differential pressure as well as velocity and flow. The Series A3 includes (2) 8A SPDT relays and an associated software package that allows full configuration of variables such as setpoints, dead band, engineering units, flow coefficients, and more. The programming is done from a user friendly menu on the LCD display or uploaded using an OptiLink™ programming key. The LCD also displays the exact setpoints or other user defined variables during normal operation. Furthermore, the menu structure can be customized by moving variables to different menu levels to accommodate many applications. Compared to other mechanical products, the Series A3 has a significantly reduced depth, an improved look, and better performance at a lower price.

Features

- Mounts in Industry Standard Holes
- 1.6" Panel Depth
- Universal Power 16 – 265 VAC / VDC
- (2) 8 Amp SPDT Relays
- Accuracy 1% (better available)
- LCD Program Display
- Large 0.5" LED Display
- LED Process Arch
- Weatherproof Face
- Measures Flow & Velocity
- 15 selectable Units
- OptiLink™
- Optional 4-20 mA output

Applications

- Dust Collectors
- Laminar Flow Hoods
- Clean Rooms
- Blower Pressure
- Duct Static Pressure
- Glove Box Pressure
- Bubbler Systems
- Cabinet Purging
- Velocity & Flow
- Industrial Ovens

SPECIFICATIONS

Maximum Pressure: Ranges $\leq 4''$ w.c. = 2 PSI; Ranges $\geq 5''$ w.c. = 10 PSI

Media compatibility: Air and compatible non combustible, non corrosive gasses

Accuracy*: Axxx0-xx - 1.00%; Axxx1-xx - 0.50%

Temperature Ranges:

Compensated: 10° to 140°F (-12° to 60°C)

Operating: 10° to 140°F (-12° to 60°C)

Thermal Effect*: +/- 0.012% FS/°F

Output Signal: 4-20 mA (option)

Loop Resistance: 750 Ω Max (for internally sourced power); 1800 Ω Max (for externally sourced power of 36 VDC)

Power Supply: Universal 16-265 VAC or VDC

Housing Material: Glass Filled Nylon

Enclosure Rating: Designed to meet NEMA 4X face; with optional cover the entire product is weatherproof

Relays: (2) SPDT 8 Amps @ 250 VAC, 5A @30 VDC

Electrical Connections: screw terminals

Response Time: <100 ms

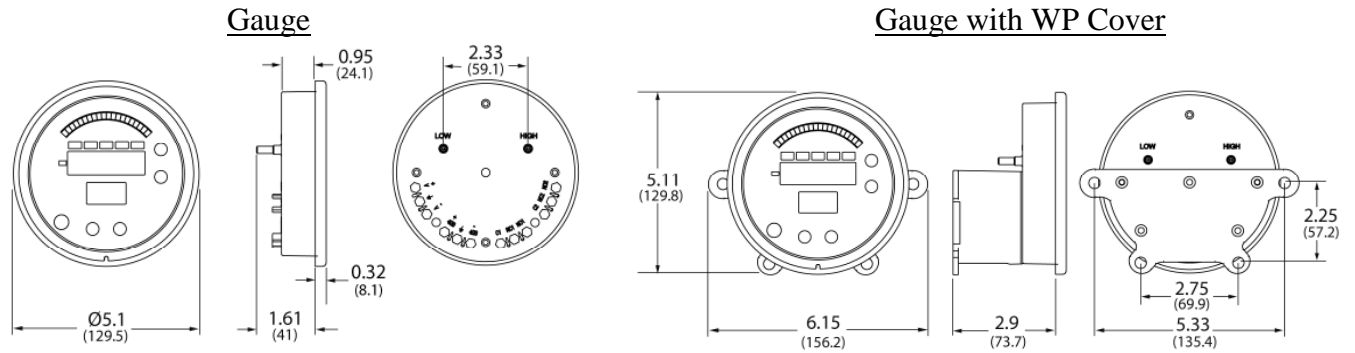
Display: 4 Digit, red LED, 1/2" digits; LCD programming display

Process Connection: Push on connection for 3/16" tubing

Agency Approvals: Pending – UL, C-UL, CE

* Custom calibration including improved accuracy and thermal effect are available

DIMENSIONAL DRAWINGS



ORDERING INFORMATION

Part Number Configuration

Example:	A3111-08				Description	
Model	A				4 1/2" Housing	
Display		3			LED Display w/ Process Arch and LCD	
Function			1		Control	
Transmitter			0		None	
			1		4-20 mA	
Accuracy			0		1%	
			1		0.50%	
Pressure Range*			-	01	0 - 0.5"	
			-	02	0 - 1"	
			-	03	0 - 2"	
			-	04	0 - 3"	
			-	05	0 - 4"	
			-	06	0 - 5"	
			-	07	0 - 8"	
			-	08	0 - 10"	
			-	09	0 - 15"	
			-	10	0 - 20"	
			-	11	0 - 30"	
	*All ranges are bi-directional					

ACCESSORIES

OptiLink™ Programming Keys



PK-01 Universal programming key
PK-02 Keypad lock/unlock key

Weather Proof/Surface Mount Cover



A-101 Weather proof cover