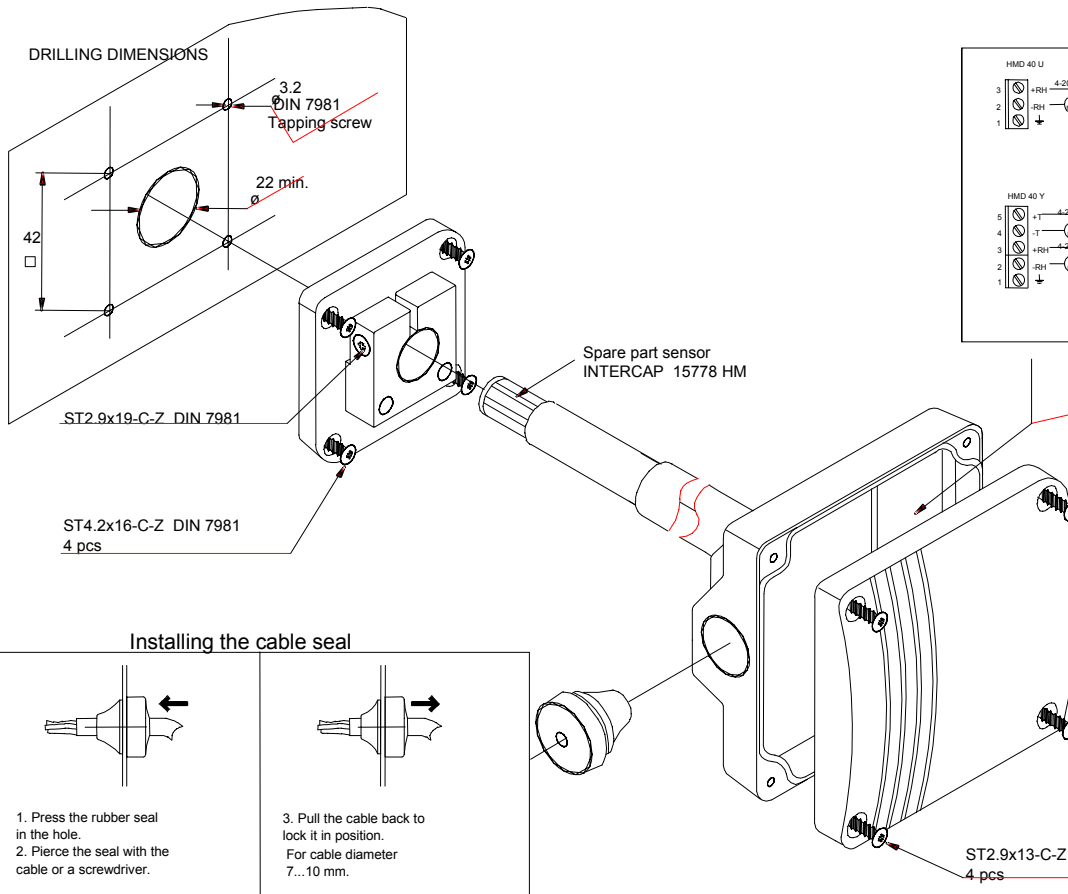


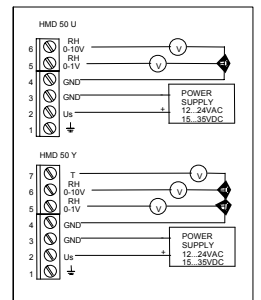
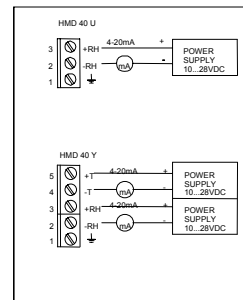
## Vaisala HMD50U/Y humidity transmitter

**Output quantities:** Relative humidity (%), temperature ( °C/°F ) in model HMD50Y  
**Operating voltage:** 12...24 VAC, 15...35 VDC  
**Analog output signals:** 0-1 V, 0-10 V

### Wiring diagram



**ELECTRICAL CONNECTIONS**



**Installing the cable seal**

