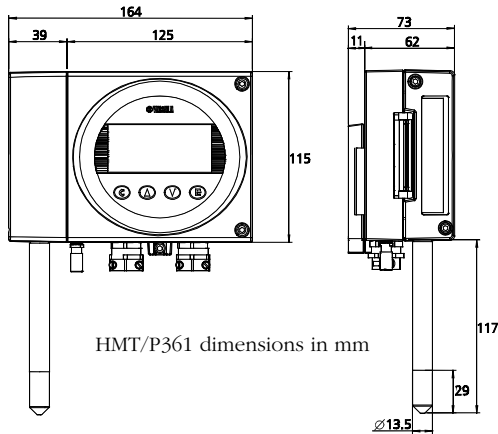


Probes for HMT360 Intrinsically Safe Humidity and Dewpoint Transmitter



The HMT360 transmitter can be ordered with any one of the following five probe options:

- HMP361 - Wall mount
- HMP363 - Confined spaces
- HMP364 - High pressure
- HMP365 - High temperature
- HMP368 - Pressurized pipelines

Each probe design offers unique advantages for various applications.

The HMT360 transmitter with the HMP361 probe, shown to the left, together are referred to as: the HMT361.



HMP361 - Wall Mount Probe

Temperature range -40°...+140 °F (-40°...+60 °C)

Sensor protection options:

- PPS grid with steel netting filter
- Stainless steel sintered filter
- PPS grid
- Membrane filter

The HMP361 probe together with the HMT360 transmitter are referred to as: the HMT361.



HMP363 - Probe for Confined Spaces

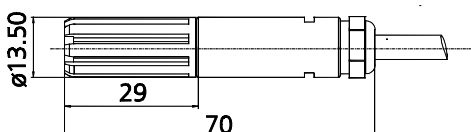
Temperature range -40°...+248 °F (-40°...+120 °C)

Sensor head cable length 2, 5, or 10 meters
Sensor head diameter 13.5 mm

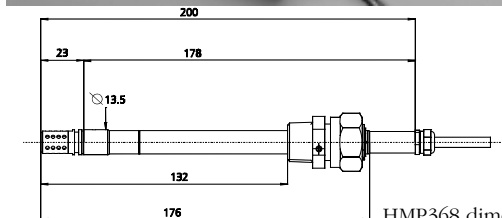
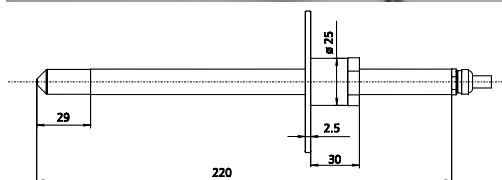
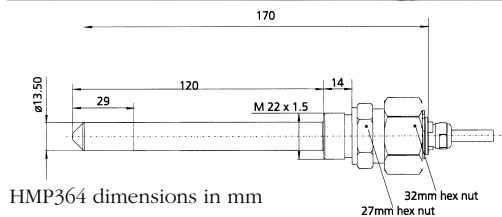
Sensor protection options:

- PPS grid with steel netting filter
- Stainless steel sintered filter
- PPS grid

The HMP363 probe together with the HMT360 transmitter are referred to as: the HMT363.



PROBES FOR HMT360 INTRINSICALLY SAFE HUMIDITY AND DEWPOINT TRANSMITTER (CON'T.)



HMP364 - Probe for High Pressure

Temperature range $-40^{\circ}\dots+356^{\circ}\text{F}$ ($-40^{\circ}\dots+180^{\circ}\text{C}$)
 Pressure range $0\dots 10\text{ Mpa}$ ($0\dots 100\text{ bar}$)

Sensor head cable length 2, 5, or 10 meters
 Sensor head diameter 13.5 mm
 Sensor protection options:
 PPS grid with steel netting filter
 Stainless steel sintered filter
 PPS grid

The HMP364 probe together with the HMT360 transmitter are referred to as: the HMT364.

HMP365 - Probe for High Temperatures

Temperature range $-40^{\circ}\dots+356^{\circ}\text{F}$ ($-40^{\circ}\dots+180^{\circ}\text{C}$)

Sensor head cable length 2, 5, or 10 meters
 Sensor head diameter 13.5 mm

Sensor protection options:
 PPS grid with steel netting filter
 Stainless steel sintered filter
 PPS grid

The HMP365 probe together with the HMT360 transmitter are referred to as: the HMT365.

HMP368 - Probe for Pressurized Pipe Lines

Temperature range $-40^{\circ}\dots+356^{\circ}\text{F}$ ($-40^{\circ}\dots+180^{\circ}\text{C}$)
 Pressure range $0\dots 4\text{ Mpa}$ ($0\dots 40\text{ bar}$)

Sensor head cable length 2, 5, or 10 meters
 Sensor head diameter 13.5 mm

Sensor protection options:
 PPS grid with steel netting filter
 Stainless steel sintered filter
 PPS grid

The HMP368 probe together with the HMT360 transmitter are referred to as: the HMT368.