



Product Data

A/ACS Series
Solid-Core Adjustable Current
“Status” Switches

Current



Product Description

The A/ACS and A/ACSX series current switches are available in a solid-core with either Normally-Open (N/O) or Normally-Closed (N/C) output configurations. All of these sensors will have a solid-state output with an adjustable trip point (setpoint). These current switches are ideal for providing status information on any type of AC current using equipment.

These current switches should be used in applications where a current switch with an adjustable trip point is required. A change in the operating current may indicate motor failure, belt loss/slippage, or mechanical failure. Any time one of these events occurs, the current can significantly increase or decrease, thus tripping the sensor, and notifying the Building Management System of an alarm condition.

The A/ACS and A/ACSX series current switches can be used to monitor devices with a maximum continuous operating current of up to 250 Amps. These current switches will not need to be externally powered, since the power for the switch is induced from the conductor being monitored. Another great feature of the A/ACS and A/ACSX series current switches is that they include a Red and Green LED that will indicate the “Status” of the switch contacts.

Product Specifications

Sensor Power	Induced from monitored conductor
Amperage Rating	0 to 250 Amps continuous
Operating Frequency	40 to 1 kHz
Isolation Voltage	2,200 VAC
Max. Sensing Current Voltage	600 VAC
Output Switch Rating	A/ACS (N/O): 0.3A @ 200 VAC/VDC A/ACSX (N/C): 0.15A @ 300 VAC/VDC
Status LED Indication	Red LED - Above Trip Point Green LED - Below Trip Point
Aperture (Hole) Size	0.75", Accepts up to 350 MCM Cables
DIN Rail Size	35mm
Unit Weight	0.21 lbs
Operating Temperature Range	-15 to 40°C (5 to 104°F)
Operating Humidity Range	0 to 95% RH, non-condensing
Hysteresis (Dead Band)	10% Setpoint, Typical

Note: DO NOT use the LED's to indicate whether the sensors have power applied to them.

Attributes:

- Red and Green status LED's
- Integral Din-rail mounting flange
- Rated up to 250 Amps
- Limited 5 year warranty
- UL94-5VB (enclosure rating)

Applications:

- Monitoring overloads, underloads and normal operating conditions
- Monitoring belt loss or slippage
- Monitoring Filter Status
- Rated for industrial use

DISPLAYS

TEMPERATURE

RELATIVE HUMIDITY

PRESSURE

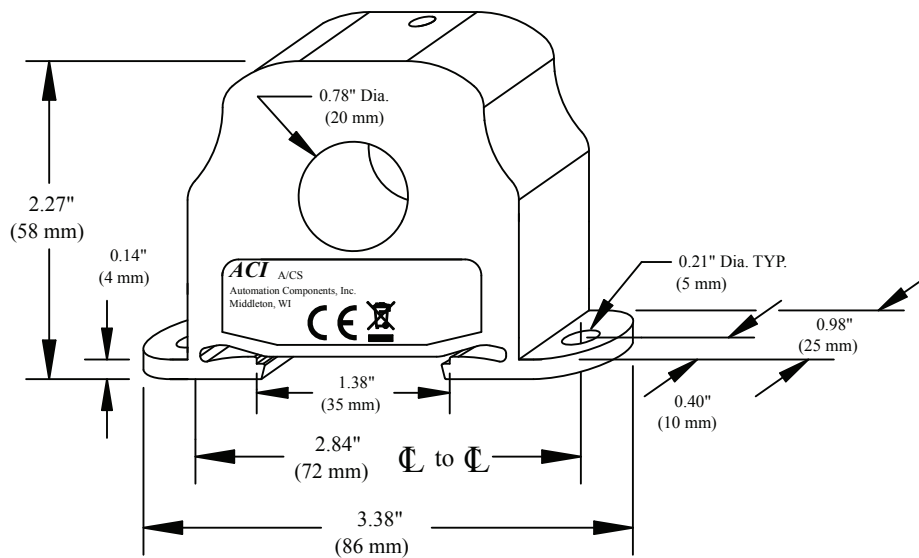
CURRENT

AIR QUALITY

ACCESSORIES

Dimensions

Solid-Core



Ordering Information

ACI Model #	Description	Adjustable Trip Point	Output Switch Rating
A/ACS	Solid-Core, Current Switch, N/O, 0-250A	1.0-250 Amps	0.30A @ 200 VAC/VDC
A/ACS-L	Solid-Core Current Switch, N/O, 0-250A	0.50-250 Amps	0.30A @ 200 VAC/VDC
A/ACSX	Solid-Core Current Switch, N/C, 0-250A	1.0-250 Amps	0.15A @ 300 VAC/VDC



Warning: Not intended to be used in Life & Safety Applications or for use in any hazardous locations.