

Digital Timer Unit with 8 switch functions



Same as Type 1078-1, except:

- Programmable using separate operating unit
- 8 different switching functions
- Program changes only possible with operating unit (protective function)
- 2-button operation with display

Type 1078-2 can be combined with...



Type 5281/6213

Solenoid valve

Type 0330/0331

Solenoid valve

Type 0255/0256

Solenoid valve

Type 6518/6519

Solenoid valve

Type 6519 NAMUR

NAMUR valve

The Type 1078-2 works on the basis of a micro-processor and is used for controlling the cycle times of solenoid valves. 8 different cycle times can be set up.

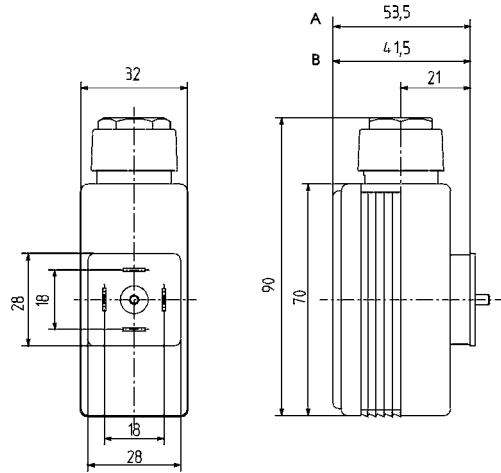
The controller is plugged onto the tag connector of the solenoid valve using the integrated instrument socket according to DIN 43650 Form A and can also be connected to a binary signal generator (Start and Reset).

The 1077-2 operating unit is used to set switching cycles and interval periods using the 2 function buttons. Once these parameters have been set, the operating unit can be removed from the timer unit. The programmed values remain stored in the operating unit and the controller.

Technical data		Operation	
Operating voltage	12 - 24/24 - 48 V/DC, 24-48 V/50 - 60 Hz, 110 - 230V/50 - 60 Hz	Setting	With plug-on operating unit Type 1077-2
Voltage tolerance	±10%	Resolution	8 functions with 2 buttons on the operating unit Type 1077-2 (not supplied as standard) 0.2 s up to 9999 h, continuous
Nominal power	1.5 W	Tolerance	1%
Switching output	For the control of solenoid valves etc.	Options	Binary inputs for external triggering
Switching voltage	As operating voltage	LED display	Mains voltage Switch status
Switching current at 12 - 24 V/DC at 24 - 48 V/50-60 Hz at 110 - 230 V/50-60 Hz	Max. 2 A Max. 1.5 A (7,5 A) Max. 0.5 A (2 A)	Display (on operating unit Type 1077-2)	4 1/2 digit 7-segment LCD display
Electrical connection	5-pin terminal strip in the body, PG9 cable connector, up to 1.5 mm ² wires, Cable Ø 6 to 7 mm, can be turned through 90°	Installation	As required
Number of terminals	2 pins and protective conductor	Mounting	With cheesehead screws
Plug connection	Integrated cable plug to DIN 43650 Form A	Body material	Polyamide
Protection class	IP 65 with valve		
Clearance/ leakage paths	According to VDE 0100		
Operating temperature	14 to 140°F (-10 to +60°C)		
Storage temperature	14 to 176°F (-10 to +80°C)		

Dimensions [mm]

A Dimensions for timer unit with operating unit
(not supplied as standard, please see ordering chart)
B Dimension for timer unit without operating unit,
with protection cover (supplied as standard)

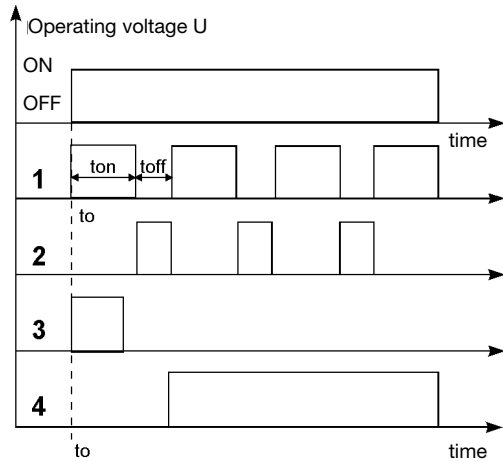


Functions/switching cycles of the timer unit

t_o = Start time
 t_{on} and t_{off} are freely selectable

Functions

- 1 Cycler, starting with "On", start with t_{on}
- 2 Cycler, inverted, starting with t_{off}
- 3 Pulse timer for the set time t_{on}
- 4 Switch-on delay, only switches after duration of t_{off}
- 5 Cycler with adjustable switch-on pulse
- 6 Cycler, time-delayed, starting with t_{off}
- 7 Pulse generator, time-delayed, starting with t_{off}
- 8 Pulse generator, inverted and time-delayed, starting with t_{on}



Ordering chart for Type 1078-2

Accessory	Operating voltage	Item no.
Timer unit Type 1078-2	12 - 24 V/DC0	060 648
	24 - 48 V/50-60 Hz and DC	060 629
	110 - 230 V/50-60 Hz	060 630
Programming unit Type 1077-2*		060 638

* At least one programming unit is required in order to program the 1078-2 timer unit. Programming units can be removed from the timer and stored for safe keeping.