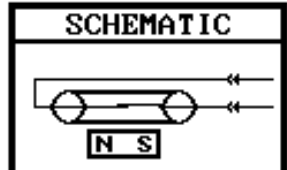
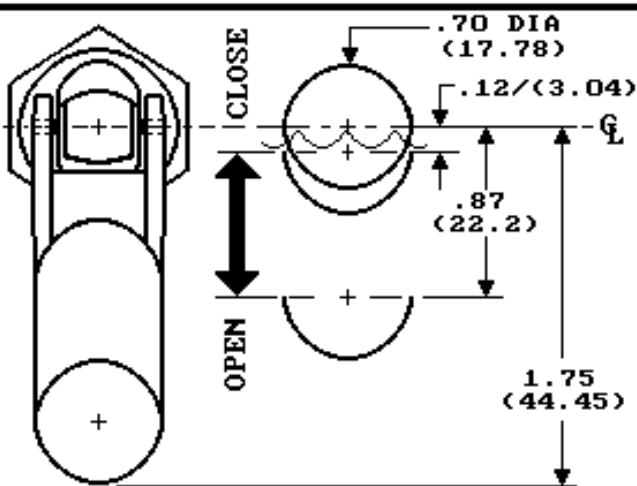
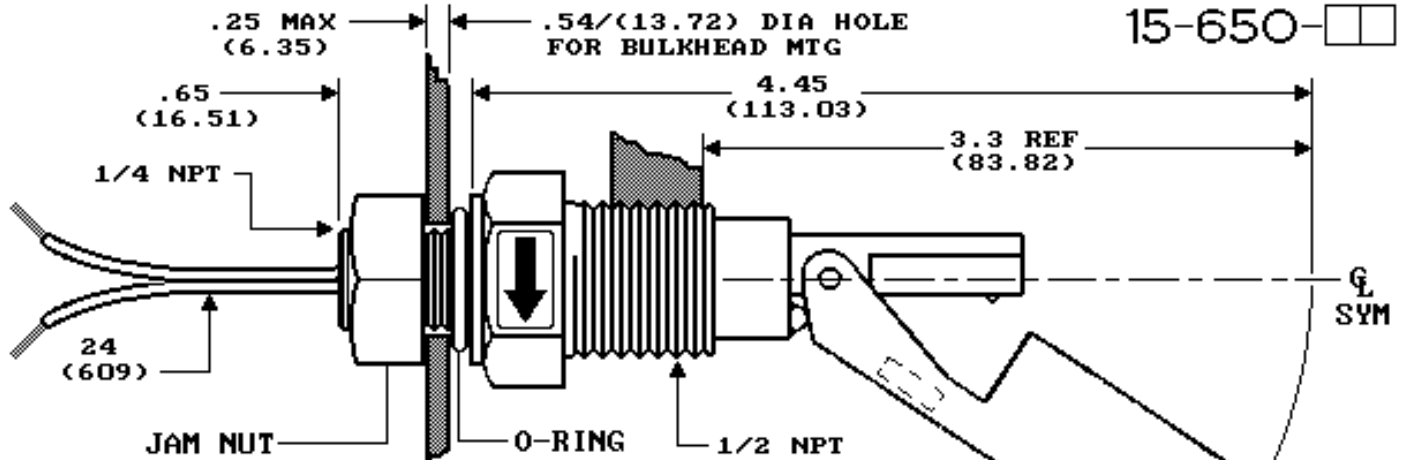


# LIQUID LEVEL SWITCH

15-650-



INSTALL "OUTSIDE -->  
 IN" ON 1/2 THD  
 . . . OR  
 INSTALL "INSIDE -->  
 OUT" ON 1/4 THD OR  
 WITH BULKHEAD JAM NUT.

