

## Series A4

### Digital Differential Pressure Control



The series A4 is a patent pending microprocessor based controller for positive, negative, and differential pressure as well as velocity and flow. The Series A4 includes (2) 8A SPDT relays and an associated software package that allows full configuration of variables such as setpoints, dead band, engineering units, flow coefficients, and more. The programming is done from a user friendly menu on the OLED display or uploaded using an OptiLink™ programming key. The OLED also displays the exact setpoints or other user defined variables during normal operation. Furthermore, the menu structure can be customized by moving variables to different menu levels to accommodate many applications. Compared to other mechanical products, the Series A4 has a significantly reduced depth, an improved look, and better performance at a similar price.

#### Features

- Mounts in Industry Standard Holes
- 1.6" Panel Depth
- Universal Power 16 – 265 VAC / VDC
- (2) 8 Amp SPDT Relays
- Accuracy 1% (better available)
- OLED Program Display
- Large 0.5" LED Display
- LED Process Arch
- Weatherproof Face
- Measures Flow & Velocity
- 15 selectable Units
- OptiLink™
- Optional 4-20 mA output

#### Applications

- Dust Collectors
- Laminar Flow Hoods
- Clean Rooms
- Blower Pressure
- Duct Static Pressure
- Glove Box Pressure
- Bubbler Systems
- Cabinet Purging
- Velocity & Flow
- Industrial Ovens

### SPECIFICATIONS

**Maximum Pressure:** Ranges  $\leq 4''$  w.c. = 2 PSI; Ranges  $\geq 5''$  w.c. = 10 PSI

**Media compatibility:** Air and compatible non combustible, non corrosive gasses

**Accuracy\*:** Axxx0-xx - 1.00%; Axxx1-xx - 0.50%

**Temperature Ranges:**

**Compensated:** -10° to 140°F (-23° to 60°C)

**Operating:** -10° to 140°F (-23° to 60°C)

**Thermal Effect\*:** +/- 0.012% FS/°F

**Output Signal:** 4-20 mA (option)

**Loop Resistance:** 750  $\Omega$  Max (for internally sourced power); 1800  $\Omega$  Max (for externally sourced power of 36 VDC)

**Power Supply:** Universal 16-265 VAC or VDC

**Housing Material:** Glass Filled Nylon

**Enclosure Rating:** Designed to meet NEMA 4X face; with optional cover the entire product is weatherproof

**Relays:** (2) SPDT 8 Amps @ 250 VAC, 5A @30 VDC

**Electrical Connections:** screw terminals

**Response Time:** <100 ms

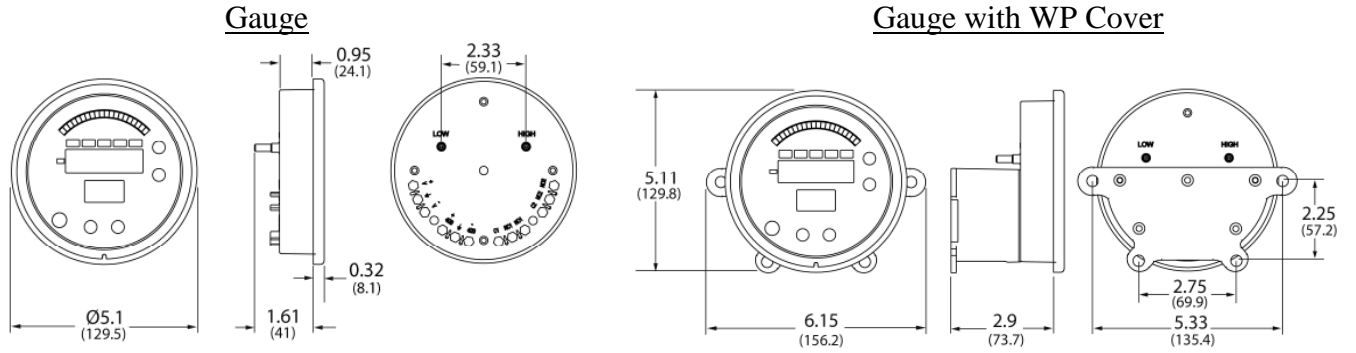
**Display:** 4 Digit, red LED, 1/2" digits; OLED programming display

**Process Connection:** Push on connection for 3/16" tubing

**Agency Approvals:** Pending – UL, C-UL, CE

\* Custom calibration including improved accuracy and thermal effect are available

## DIMENSIONAL DRAWINGS



## ORDERING INFORMATION

### Part Number Configuration

Example:	A4111-08				Description	
<b>Model</b>	A				4 1/2" Housing	
<b>Display</b>		4			LED Display w/ Process Arch and OLED	
<b>Function</b>			1			Control
<b>Transmitter</b>			0			None
			1			4-20 mA
<b>Accuracy</b>			0			1%
			1			0.50%
<b>Pressure Range*</b>			-	01	0 - 0.5"	
			-	02	0 - 1"	
			-	03	0 - 2"	
			-	04	0 - 3"	
			-	05	0 - 4"	
			-	06	0 - 5"	
			-	07	0 - 8"	
			-	08	0 - 10"	
			-	09	0 - 15"	
			-	10	0 - 20"	
			-	11	0 - 30"	
*All ranges are bi-directional						

## ACCESSORIES

### OptiLink™ Programming Keys



**PK-01** Universal programming key  
**PK-02** Keypad lock/unlock key

### Weather Proof/Surface Mount Cover



**A-101** Weather proof cover