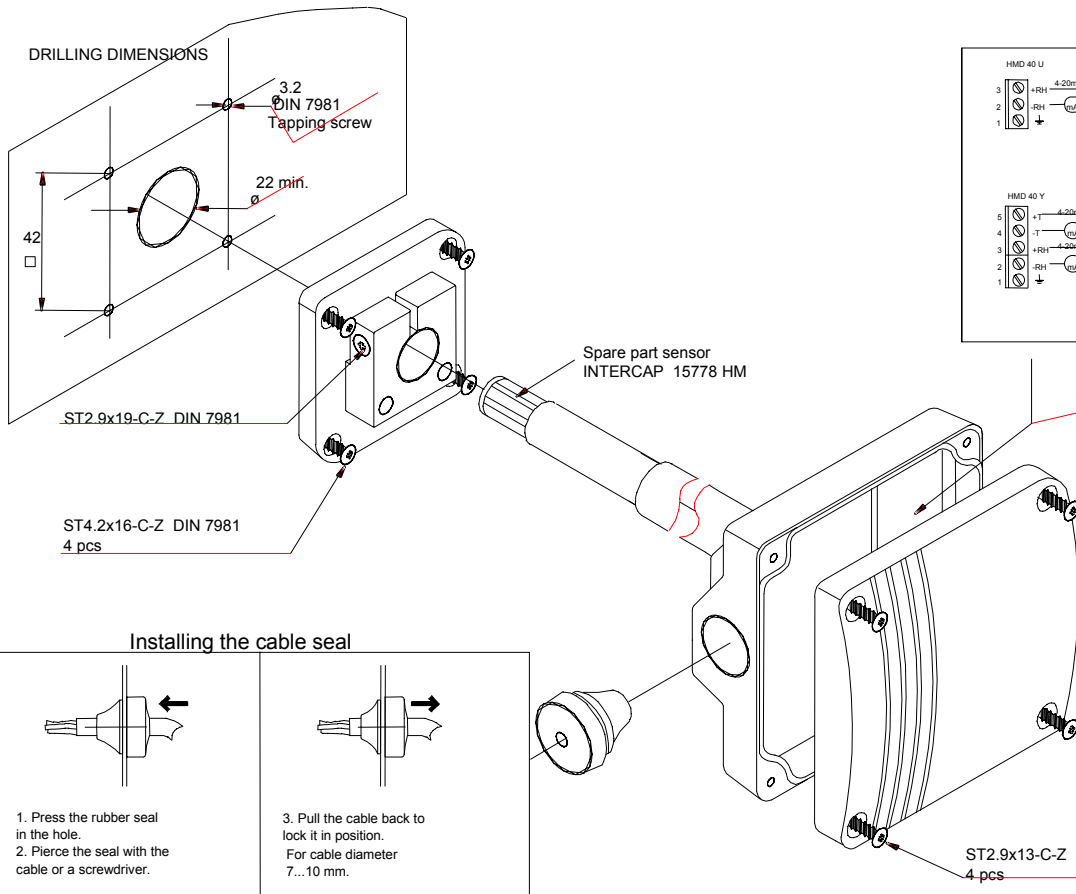


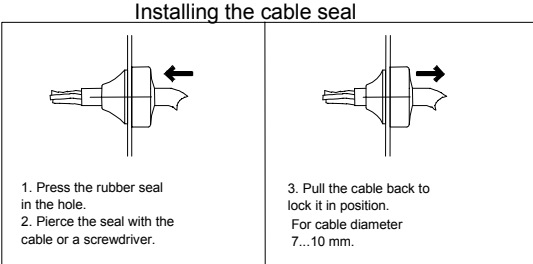
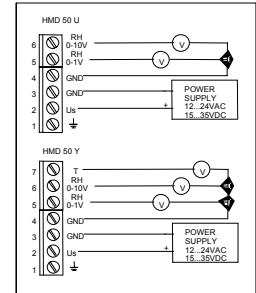
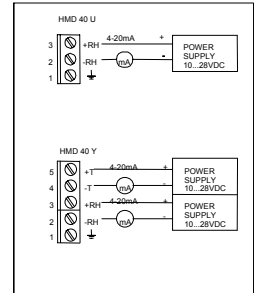
### Vaisala HMD40U/Y humidity transmitter

|                              |  |
|------------------------------|--|
| <b>Output quantities:</b>    | Relative humidity (%), temperature ( °C/°F ) in model HMD40Y |
| <b>Operating voltage:</b>    | 10...28 VDC  |
| <b>Analog output signal:</b> | two wire 4...20 mA   |

### Wiring diagram



**ELECTRICAL CONNECTIONS**



ST2.9x13-C-Z DIN 7981  
4 pcs